

# *Single End* **Tenoning M/C**



*Standard Type or Complete  
Safety Guard Type to  
Choose From!*

*Brake Motor for Cope  
Spindle is Optional.*

CE

**ST-152A**

*(Complete Safety Guard Type)*

Holytek's ST Series Single End Tenoning Machine has many outstanding features. There is a choice of helical or straight cutterheads making these machines suitable for hard and soft materials alike. Both the top and bottom tenon heads can be either individually or simultaneously vertically adjusted.

The saw mechanism is mounted in front of the tenon heads for cutting stock to the desired length. It can be adjusted vertically and can use a maximum 12" diameter blade.

Additionally, there is a sawblade guard and dust filter that not only provides added operational safety but also prevents chips from entering into the dust collector. These are just a few of the excellent features! Increase your efficiency and profit with the reliable ST Series from Holytek.

# **HOLYTEK**

# HOLYTEK Single End

## FEATURES:

### TENON CUTTER HEAD

Both top and bottom tenon heads can be individually or simultaneously vertically adjusted. Individual cross adjustment in 1" distance. Helical and straight tenon cutter heads on the 152 series provide excellent quality results on a range of materials.

### COPE HEAD

For fitting with pattern cutter producing various end patterns. Cope spindle may be vertically or crosswise adjusted. Vertical movement distance is 140mm, Forward and backward movement distance is 100mm.

### CUT OFF SAW

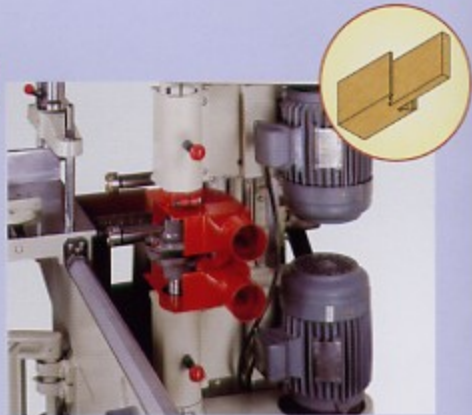
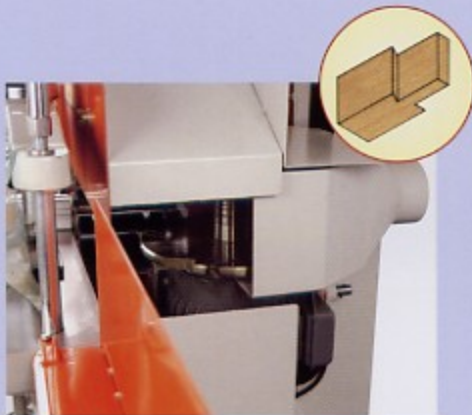
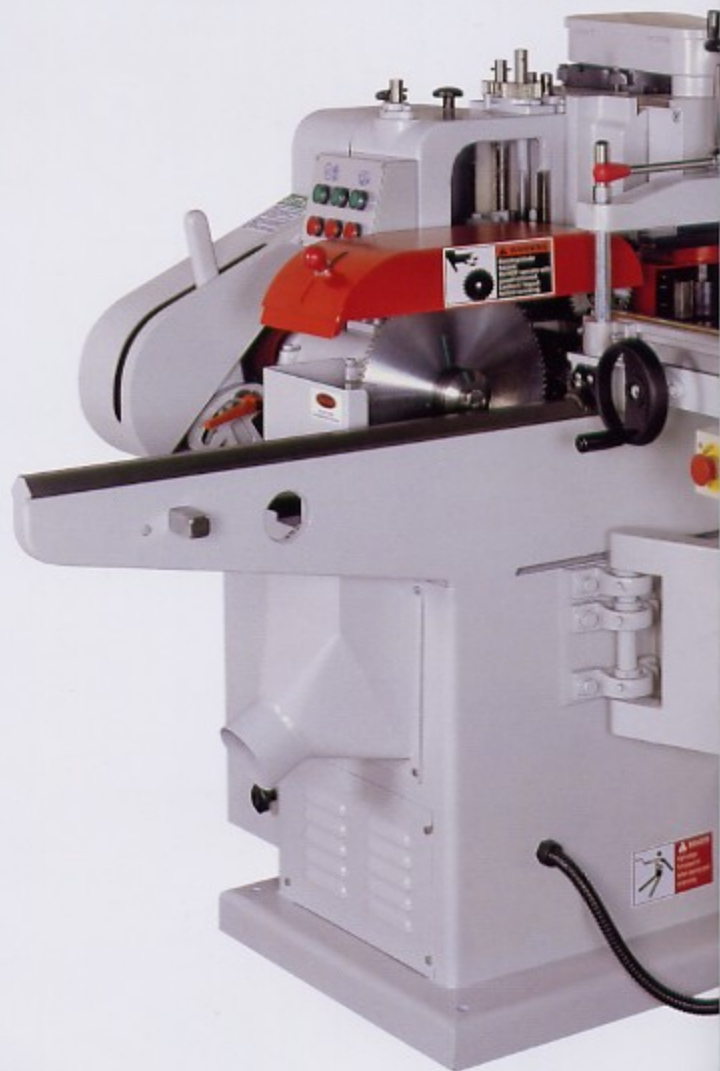
The saw mechanism is mounted in front of tenon heads for cutting stock to the desired length. Sawblade may be vertically adjusted. Saw head accepts 12" maximum blade diameter.

### SLIDING TABLE

Table slides on precision machined "V" ways, precise sliding accuracy is assured. The bearing support permits for effortless hand moving of table.

### EXTENDABLE ALUMINUM RULER

Equipped with two work stops for convenient repetitive cutting.



### ST-120A / ST-152A

- Especially suited for cutting tenons for window and door frames, chairs, but not ideal for cutting general joint-tenons.
- Cope spindle is directly driven by motor, 3600 RPM spindle speed.
- Handles maximum 10" diameter cope cutter.

### ST-120B/ST-152B

- The ST-120B tenoner can cut up to 120 mm. in length and the ST-150B up to 150 mm.
- Suited for cutting tenons for window and door frames, and cutting general joint tenons.
- Cope spindle is driven by pulley providing 6000 RPM, allowing for faster spindle shaper production.
- Cope spindle accepts general shaper cutters.

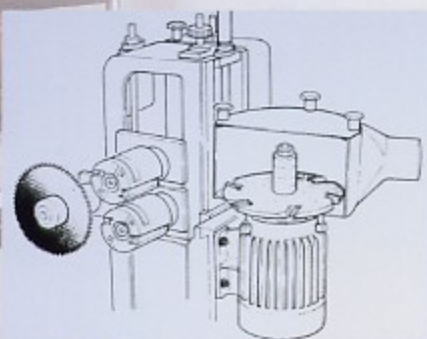
### ST-152C

- The most powerful feature of the 152C is the two cope spindles fitted with a cope cutter head.
- Upper and lower cope cutterheads included standard, fitted with four 60° corrugated stock knives.
- Permits for cutting long and complex tenons, such as door casements.

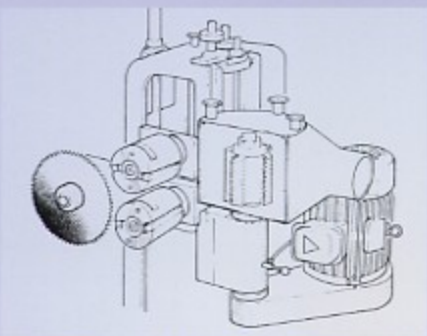
# Tenoning Machine



## ST-152C

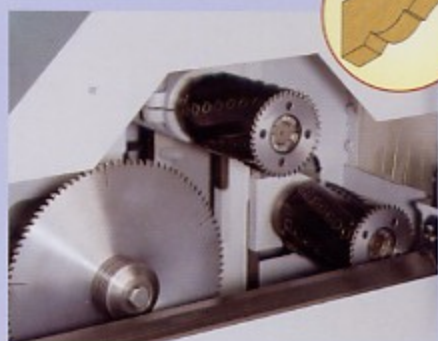


- Especially suited for cutting tenons for window and door frames, chairs, but not ideal for cutting general joint-tenons.
- Cope spindle is directly driven by motor, 3600 RPM spindle speed.
- Handles maximum 10" diameter cutter



Both ST-120B AND ST-152B tenoners are similar to ST-120A and ST-152A respectively, but with a difference in features of cope spindle.

- Suited for cutting tenons for window and door frames, and cutting general joint tenons.
- Cope spindle is driven by pulley providing 6000 RPM, allowing for a faster spindle shaper function.
- Cope spindle accepts general shaper cutters.



### ST-152P

- The two tenon spindles are offset arranged for upgrading cutting accuracy.
- No cope spindle
- Excellent for picket fence production
- Heavy cutting capacity



### EXTENDABLE ALUMINUM RULER

Use the extendable aluminum ruler to measure the required length of the workpiece. Two work stops are used to set the desired length.



### SAWBLADE GUARD & DUST FILTER

An added sawblade guard offers added safety for the operator. A filter screen is provided in front of the dust hood to prevent chips from entering into the dust collector.

## HELICAL TENON CUTTER HEAD

•With scribing saw

(Optional for 152 Series Only)

## STRAIGHT TENON CUTTER HEAD

•With scribing knives

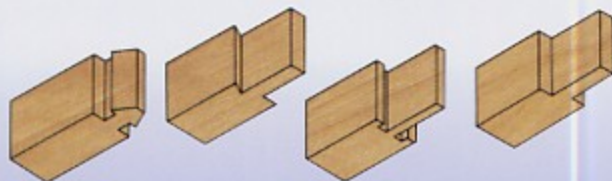


Choice of cutter heads for best results:

- Helical cutterhead is best for hard materials.
- Straight cutter head is best for medium materials.

Entire Series can Produce Following Tenons...

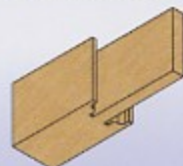
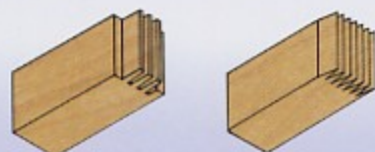
Specially produced by ST-120A/ST-152A



Specially produced by ST-120B/ST-152B

Specially produced by ST-152C

Specially produced by ST-152P



## SPECIFICATIONS

MODEL		ST-120A	ST-120B	ST-152A	ST-152B	ST-152C	ST-152P
Maximum tenon cut	Length	120 mm	120 mm	152 mm	152 mm	152 mm	152 mm
	Width	370 mm	370 mm	370 mm	370 mm	370 mm	370 mm
	Thickness	112 mm	112 mm	127 mm	127 mm	127 mm	127 mm
Max. tenoning cutterhead size		Ø105 mm (dia.) 120 mm (long)	Ø105 mm (dia.) 120 mm (long)	Ø110 mm (dia.) 152 mm (long)	Ø110 mm (dia.) 152 mm (long)	Ø110 mm (dia.) 152 mm (long)	Ø110 mm (dia.) 152 mm (long)
Max. shaping cutter size		Ø10"	Ø63/8"	Ø10"	Ø63/8"	Ø63/8"	-
Max. sawblade diameter		Ø12"	Ø12"	Ø12"	Ø12"	Ø12"	Ø12"
Spindle diameter	Tenon spindle	Ø1"	Ø1"	Ø1 1/4"	Ø1 1/4"	Ø1 1/4"	Ø1 1/4"
	Cope spindle	Ø1"	Ø1 1/4" or 30 mm	Ø1"	Ø1 1/4"	Ø1 1/4"	-
	Saw spindle	Ø1"	Ø1"	Ø1 1/4"	Ø1 1/4"	Ø1 1/4"	Ø1 1/4" or 40 mm
Spindle speed	Tenon spindle	3400 RPM	3400 RPM	3400 RPM	3400 RPM	3400 RPM	3400 RPM
	Cope spindle	3600 RPM	6000 RPM	3600 RPM	6000 RPM	6000 RPM	-
	Saw blade	2800 RPM	2800 RPM	2800 RPM	2800 RPM	2800 RPM	2800 RPM
Motor horsepower	Saw & tenon head	3 HP	3 HP	5 HP	5 HP	5 HP	7.5 HP
	Cope head	2 HP	5 HP	3 HP	5 HP	3 HP x 2	-
Sliding table area		1280 x 450 mm	1280 x 450 mm	1280 x 450 mm	1280 x 450 mm	1280 x 450 mm	1280 x 450 mm
Net weight		500 kgs	550 kgs	530 kgs	600 kgs	780 kgs	460 kgs
Gross weight		620 kgs	670 kgs	650 kgs	720 kgs	870 kgs	580 kgs
Machine dimensions (L x W x H)		1680x1840x1150 mm	1680x1840x1150 mm	1680x1840x1150 mm	1680x1840x1150 mm	1680x1840x1150 mm	1680x1840x1150 mm
Packing dimensions (L x W x H)		1700x780x1400 mm	1700x780x1400 mm	1700x780x1400 mm	1700x780x1400 mm	1700x780x1400 mm	1700x780x1400 mm

• All specifications and design characteristics shown in this catalogue are subject to change without prior notice.

# HOLYTEK

## HOLYTEK INDUSTRIAL CORP.

9F-1, NO. 400, SEC. 1, CHANG PING RD., TAICHUNG, TAIWAN

TEL: 886-4-2245-2818 (REP.) FAX: 886-4-2243-6928

E-mail: holytek@ms13.hinet.net

http://www.holytek.com.tw

CAT NO:2004.11.2000