

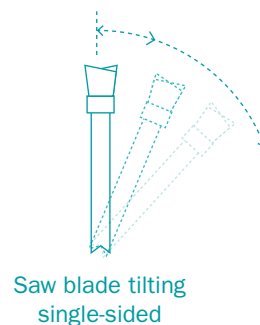
A powerful piece.

T65

MARTIN

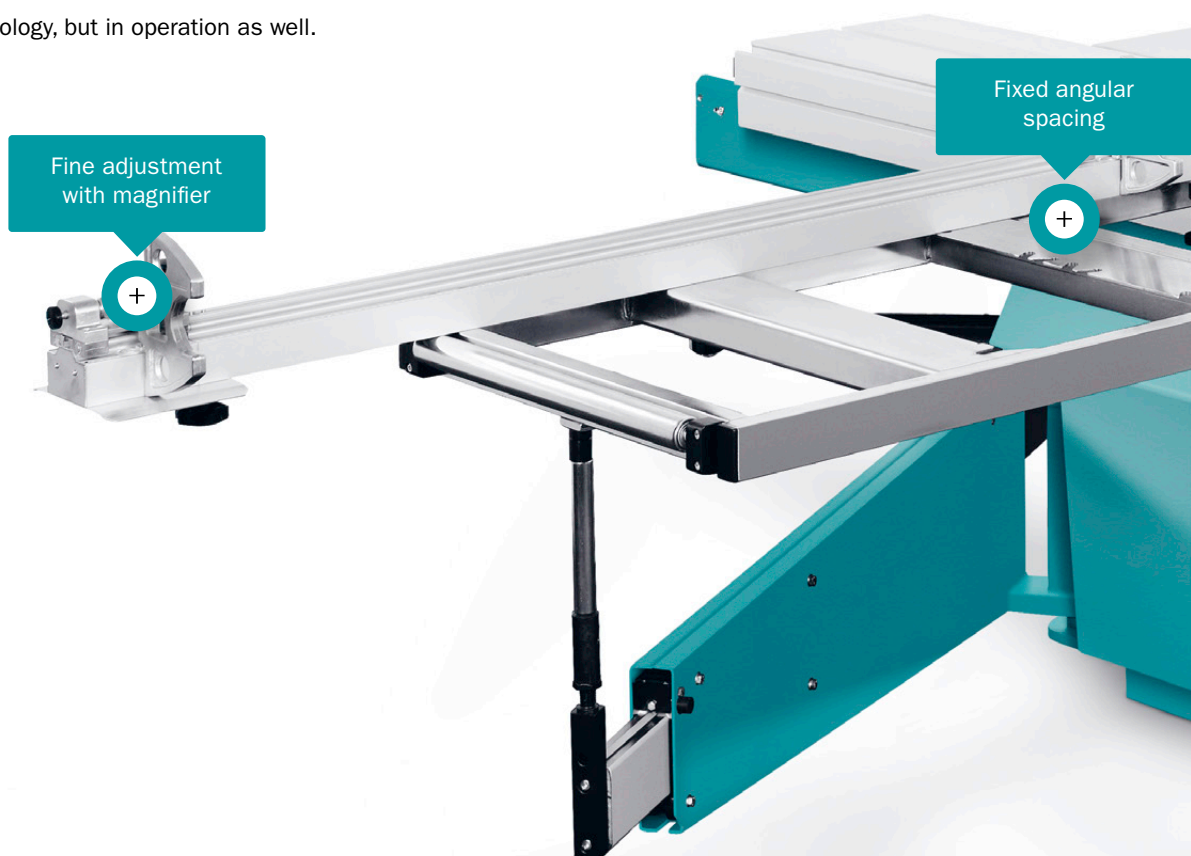


T65



The perfect combination of tradition and innovation in the Premium Compact Class.

With the T65 MARTIN has redefined the Premium Compact Class. As the T65 combines traditional operation with state-of-the-art electronic support. So it offers you quick, precise and therefore rational operation. The tried and tested 5.7" touch-screen controller sits at eye level and supports you in situations giving you an overview of all your operations and work processes. Robust mechanics and sophisticated control technology combine to create a greater whole. As MARTIN is not just setting standards in technology, but in operation as well.



T65 with accessories (further details in the options book)

T6509/2 | Cutting width 1,100 mm

T6512 | Digital indication of the cutting width

T6523 | Electrically adjustable scoring-saw unit (3 axes)

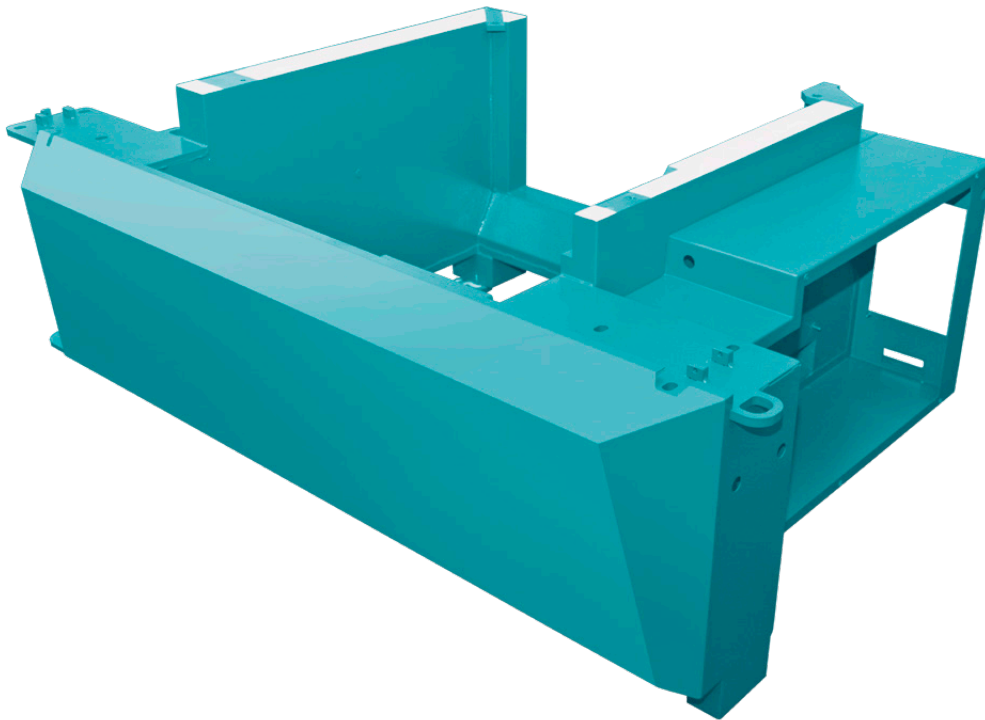
T6589 | Cutting width adjustment via hand wheel



Remote control by hand

With the optional hand wheel adjustment you can comfortably control the fence jaw of the T65 from the operating position – completely without electronic control.

Robust, solid and durable construction.



The basis for your success.

The machine frame of the T65 is a stable, thick walled composite structure, that is only found in MARTIN products. Already back in the 1920s Otto Martin invented and registered this design. Today, after 90 years of continuous improvement, this simple but good principle is still being used for the frame construction at MARTIN. The intelligent combination of steel and concrete creates a high quality frame unequalled in terms of stability, damping capacity and torsional stiffness. The vibrations that occur in any saw are absorbed much more effectively than in cast iron frames or welded structures. These stands are the perfect base for your perfect work!



The unique construction of the MARTIN composite frames leads to incomparable stability.



Advantage thanks to innovative operator guidance.

The T65 premium compact machine supports you with its 5.7" (145 mm) touchscreen controller at the maximum performance level. This modern form of machine operation, which has already proven itself a thousand times over in practice, not only ensures simple handling of the machine, but also supports you in calculating the workpiece dimensions and setting the fences. So you save setup time and working is made much more comfortable. The user interface was developed in an intensive collaboration between industrial graphic designers, users and MARTIN. The operating logic is oriented to the needs of the practitioner, the symbols are understandable and therefore intuitive to learn. The starting point of machine operation is always the so-called HOME page of the control system. Here you get a quick overview of all important settings, such as cutting height and angle, as well as the current position values of the different fences. In order to give

the control system a new value for a certain axis just click in the corresponding number field. The screen then immediately changes to entry mode, which gives you the chance to quickly re-define the numerical values. Here you will be shown not just the minimum and maximum permissible entry values available via the keypad, but also automatically the least five entry values are offered to you for direct selection. If required the integrated calculator can be used. Through different speed dial icons on the HOME page also a quick reading and effecting of more important settings and parameters is possible. So you always maintain an overview and control of the currently set machine values. For the precise calculation of your steps and a quick tool change up to 50 saw blades can be stored in the tool menu. A tool which has been stored once is immediately ready for use and fully integrated into the control system.

5,7" touchscreen control | Standard

Optimum operational guidance through intensive development.

The operating logic is oriented to the needs of the practitioner, the symbols are understandable and therefore intuitive to learn.



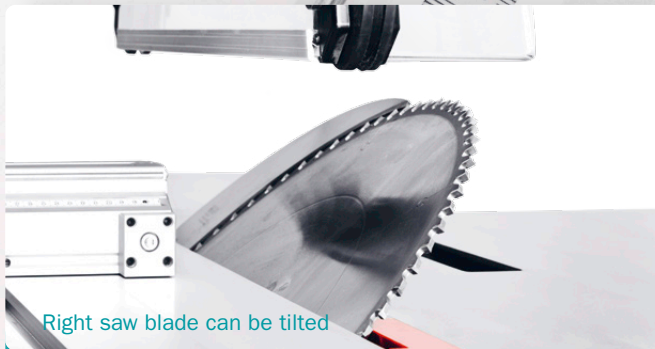




ScribeMaster | T6522

Scoring – made easy.

Already the 2 axis system is characterised by an impressive operating comfort. Thanks to its intelligent integration in the control system the system adjusts its left/right position completely automatically to the right cutting edge of the main saw blade used. You just need to adjust the scoring width. Combined with the ScribeMaster T6522 this setting is also much more comfortable. With the scoring-saw blades deployed you can use main saw blade of up to 500 mm diameter. Thanks to its complete integration into the control the 3-axis system offers extreme comfort and top precision. Once the unit has been referenced the system adjusts completely automatically.



Right saw blade can be tilted

Powerful cutting up to 204 mm height.

The large cutting height of 204 mm and the tilting range of 0 to 46° provide clearances for demanding operations. Through the ProLock system the changing of main and scoring-saw blades is quick and easy.



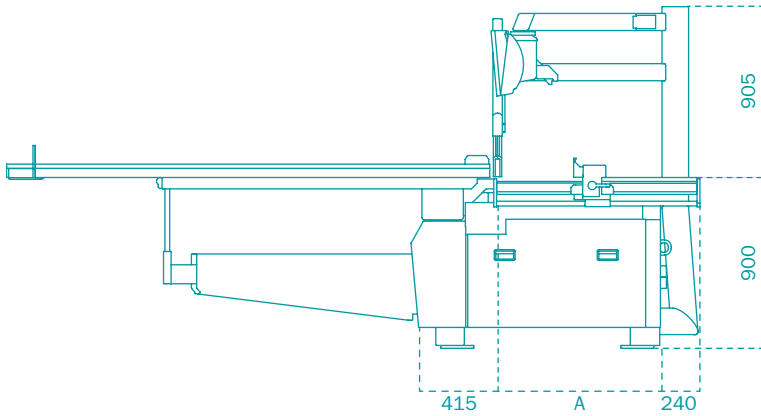
Sliding table | Standard



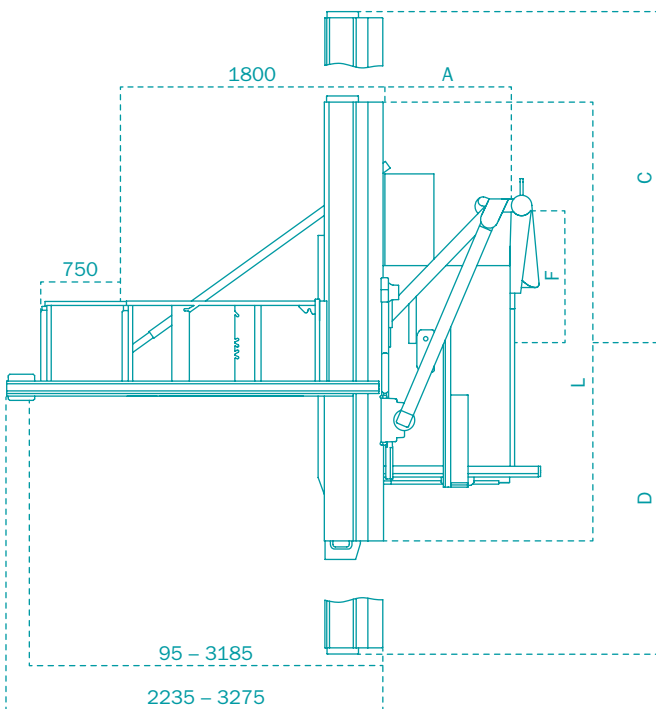
Smooth and precision guidance since 1959.

The MARTIN hardened steel guide system has been used as the sliding table guide since 1959. The advantage of this system is that it is backlash-free due to the principle and that the table runs really smoothly in the long term. The fact that the running surfaces are kept oil-moist prevents dust and dirt from permanently adhering to the running tracks and the movement of the table ensures ongoing self-cleaning. The screwed table lip means that it's really easy to "undo" any damage caused by large moving saw blades. It is possible to lock the table down every 20 mm along the length of the machine.

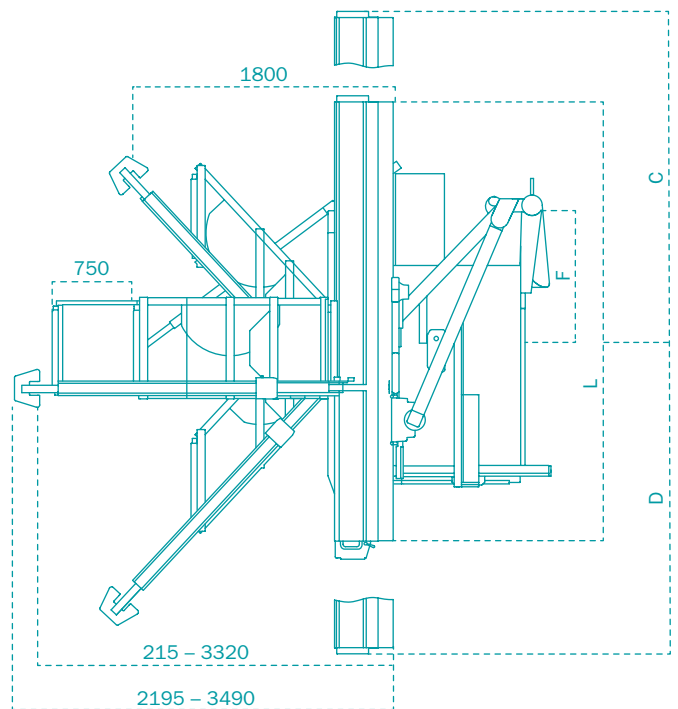
T65



T65 | Side view



T65 | Plan view



T65 | Plan view

A Cutting width	F Clearance	L Sliding-table length	Sliding cut	C D Movement range
850	920	1,900	1,900 x 1,900	2,500 2,400
1,100	920	3,000	3,000 x 3,000	3,600 3,500
1,350	920	3,300	3,300 x 3,300	3,900 3,800
1,600	920	3,700	3,310 x 3,700	4,300 4,200
		4,300	3,310 x 3,700	4,900 4,800

Technical data	T60A	T60C	T65
Motor power optional	4.0 kW 5.5 kW 7.5 kW	5.5 kW 7.5 kW 11.0 kW	5.5 kW 7.5 kW 11.0 kW
Cutting height	87.5 mm optionally 130 mm	130 mm	550 mm
Saw blade tilting range	46°	46°	46°
Saw blade diameter	315 mm optionally 400 mm	400 mm	550 mm
Speed optional	5,000 rpm 4,000 4,800 6,000 rpm	4,000 4,800 6,000 rpm –	2,800 4,000 5,000 rpm –
Main saw blade change	ProLock	ProLock	ProLock
Blade thickness	max. 6 mm special tools up to 15.3 mm (0°)	max. 6 mm special tools up to 15.3 mm (0°)	max. 6 mm special tools up to 20.0 mm (0°)
Cutting width (A) optional	850 mm 1,350 mm	1,350 mm 850 mm	850 mm 1,100 1,350 1,600 mm
Sliding table length optional	3.0 m 1.9 3.3 3.7 m	3.0 m 1.9 3.3 3.7 m	3.0 m 1.9 3.3 3.7 4.3 5.1 m
Control	–	3.5" screen control	5.7" touchscreen
Display resolution	0.1°	0.1 mm 0.1°	0.1 mm 0.1°
Control panel	in frame	at eye level	at eye level, inclined, 2x rotation
Cutting angle/height	Electrically via push button (rapid speed or creep speed), incl. digital display of the tilting angle	controlled	controlled
Cutting width	by hand, fine adjustment according to scale	via hand wheel incl. digital dimension indicator	manually, by scale with fine adjustment optionally by hand wheel including digital dimension indicator, controlled
Extraction connection	120 mm on frame 60 mm on riving-knife guard	120 mm on frame 100 mm on guard	120 mm on frame 100 mm on guard
Weight	approx. 1,300 – 1,450 kg	approx. 1,350 – 1,500 kg	approx. 1,600 – 2,100 kg

The machines generate very little dust as per BGI 739-1 Annex 1.

All dimensions in millimetres. Manufactured in Germany.

Dimensions and specifications subject to technical innovation and may be changed without notice.

Illustrations may differ from the original. The binding technical features and equipment are given in the applicable price list.

Visit us at:

Website



Facebook



YouTube



Brochure



Contact us at:

+49 (0) 8332 911 - 0

sales@martin.info

MARTIN