



Sägen  
Hobeln  
Fräsen

**MARTIN**

**T12 Spindle Moulder**



**Can you have a compact-class machine with premium qualities?**

**Does a non-tilting shaper offer enough flexibility?**

**Can perfect moulding results actually be fun?**

**Yes – see for yourself: with the new T12 compact shaper from MARTIN.**

**MARTIN**

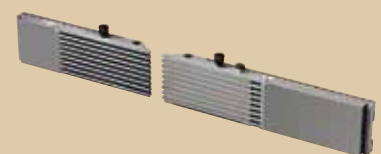


**MARTIN Sets Standards**

Why a MARTIN machine is so special

**T12**

Flexible manufacturing with a non-tilting spindle



**Accessories**

Individual solutions for individual requirements

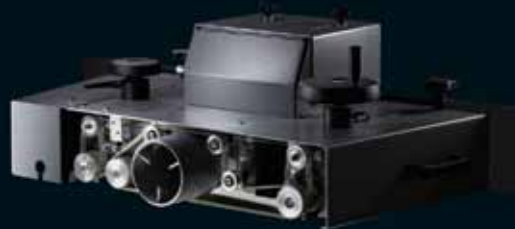
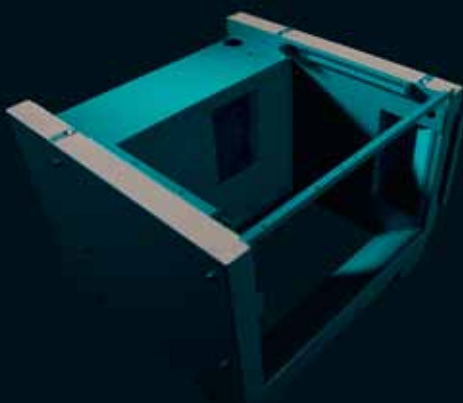




[▲1] [▼2]

[▼3]

[▼4]



## The T12 – A compact shaper with premium features

**Let our new T12 shaper turn your head. For example with its highly functional but easy-to-use control system. The T12 is the ideal machine for every company – either as an affordable entry into the MARTIN world of moulding or as an effective way to expand manufacturing options for traditional workshops and industrial applications alike. With its individual customization options, the new compact-class machine from MARTIN is the perfect shaper for any application.**

### **MARTIN Sets Standards.**

#### **High-end capability**

With its perfect balance between price and performance, the new MARTIN compact shaper is the perfect entry-level model. Even the basic version of the machine will win you over with its variety of applications. We have even included the advanced and highly functional Touch-Screen control system as part of the standard configuration of this 'little sister' of the T27. The intuitive controls make measuring and setting-up much easier and contribute to a clear reduction in set-up time – which leads to more efficient manufacturing. The many optional expansion features allow for upgrades to the T12 that can turn this compact-class machine into a sophisticated high-end product with top-of-the-line extras. Individually adapted to exactly fit the specific needs of your company, it will meet even the highest demands of your workshop or industrial application.

#### **Touch-Screen control system [1]**

Even the basic version of the T12 comes equipped with our modern Touch-Screen control system. Its touch-sensitive screen and self-explanatory symbols makes this system easy to use – especially for inexperienced operators. Together with the easy to understand menu structure, this makes for reduced set-up times and guarantees first-class results. A powerful database allows you to input and save data for as many as 500 tools and 100 program settings. And alphanumerical sorting makes selecting the right tool or program even easier.

#### **Compound frame [2]**

Even though the new T12 looks quite slim and light, it actually weighs a solid 950 kilos and proves its merits with exceptional stability, thanks to the machine's sturdy compound frame. With an intelligent combination of steel and concrete, the result is a heavy, robust and above all vibration-absorbing frame that forms the perfect basis for the heavy cast-iron table top and the superbly mounted cutting spindle – and all this brings you first-class results.

#### **Fence [3]**

The T12's fence, originally developed for the premium class, offers a sophisticated bilateral guidance system which allows a repetition accuracy of  $\pm 0.025$  mm that is unique among compact-class machines. With precision like this, in cutting height as well, even counter work can be produced very easily and accurately. In the basic version of the T12, the fence is adjusted by a handwheel according to a digital display in the control panel. A motorized version which does everything completely electronically is also available. If the fence has to be removed from the table, e.g. for curved mouldings, the robust mechanical fittings make time-consuming re-adjustments unnecessary.

#### **HSK [4]**

The basic version of the machine is equipped with MARTIN's tried-and-true original DornFix quick-change system, but the HSK tool-free clamping system option is also available. With the HSK interface the new T12 becomes an ideal addition to a CNC machining centre. Along with the HSK 85 'PowerLock' there is also the HSK 63F, both of which can be added on to the machine at any time. With the help of this technology, the user can use the very same tools on the shaper that a machining centre uses, thereby reducing the cost-intensive processing time of such centres by 'outsourcing' certain moulding jobs to the T12.

# Compact Class, Premium Performance

Does 'compact class' mean you have to sacrifice performance and user comfort in favour of affordability? Not with our T12. Even the basic model of this MARTIN compact shaper offers a broad range of optional features and a modern control system that are unique in this price class. Whether for small workshops or for industrial applications, as an entry-level model or an efficient addition to a machining centre.

The control technology of the new T12 compact shaper is like that on all other MARTIN machines: highly functional and easy to operate. The

modern Touch-Screen control system is positioned ergonomically at eye-level and helps to reduce set-up times markedly. So the operator can, for example, comfortably adjust the cutting height via the touch-sensitive screen. Additional optional accessories can be added so that the 'cutting depth (stop)' and the 'cut (infeed jaw)' axes can be integrated into the controls as well, making the T12 a 3-axis shaper.

### Small but powerful

The mechanical elements of the T12 are of very high quality and designed for durability. And even

though the T12 seems to be quite small and light, the machine frame is a heavy compact compound construction. With a total weight of 950 kilos, it offers the best possible foundation for every job.

### Compact, correct, comfortable

The most outstanding feature of the T12's fence is the sophisticated bilateral guidance system which allows a uniquely high degree of precision for a compact-class machine – it is capable of a repetition accuracy of  $\pm 0.025$  mm. For special moulding jobs, e.g. for curved mouldings, the fence can be removed very quickly and easily and



Fast set-up for curved mouldings



Short set-up times thanks to modern technology



Comfortable tool changes with the ProLock system

# T12



### T12 with accessories

- T1211** Digital display of the fence jaw position (right)
- T1240** Centrex guard
- T1245** Folding support for fence

then be remounted just as easily. Robust but very exact mechanical fittings make time-consuming re-adjustments unnecessary.

With such a comprehensive array of features even in the basic version, the T12 is the ideal entry-level machine with premium qualities. Plus the many additional optional accessories can make the T12 a shaper for the most demanding requirements – to mention just one of the many options, the ability to attain a continuous speed of 1,000 up to 12,000 revolutions/min. The basic version comes with the tried-and-tested original MARTIN

DornFix system but it can also be equipped with the HSK tool-free clamping system. Along with the HSK 85 “PowerLock” the HSK 63F can also be added, thus making the T12 the ideal addition to a CNC machining centre.

Tool memory:	500
Program memory:	100
Motor rating:	5.5 kW
Stroke:	150 mm (5.9")
Speeds:	3,000/4,500/6,000 8,000/10,000 rpm
Weight:	approx. 950 kg (2,095 lbs)



#### **T12 with accessories**

- T1202/1** Motor rating 7.5 kW (10 HP)
- T1212** Motorised fence positioning
- T1213** Motorised positioning of the fence jaw (right)
- T1231** Table extension on both sides, with extendable workpiece support
- T1240** Centrex guard
- T1242** Integral fence
- T1269** ProLock quick-clamping system for cutter arbour
- T1290** Cast-iron console for installing a feed support
- T1291** Feed support „Komfort“
- T1293** Feed unit Variomatic 4N
- T1295** Job sheet holder DIN A4



# Accessories



Touch-Screen control system

## Touch-Screen control system

The 5.7" Touch-Screen control system makes it possible to save and manage data for as many as 500 tools. The integrated alpha-numerical search function speeds up the selection of the required tools considerably. And once the perfect tool position for a specific processing step has been found, these settings can be saved easily and securely – the machine can save up to 100 different settings. Depending on the version of the machine, up to three axes are clearly displayed on the HOME page and can be efficiently controlled from there. Using the USB interface, important tool and machine



Guided safely and comfortably

data can be saved quickly and reliably and stored external to the machine. This reliable technology also offers a convenient interface for program updates and data transfer to and from the computer.

For further information please see our website at [www.martin.info](http://www.martin.info)



Infeed jaw digital display

## Digital display of the fence jaw position (right) T1211

The handwheel positioning of the right fence jaw is displayed in the control unit with high accuracy. Not only does this replace the scale and the vernier scale but the electronically recorded position of the fence jaw can also be saved in the controls for quick and easy accessing whenever needed. Even incremental movements are possible because they are integrated into the control unit.



Electronically controlled positioning of the infeed jaw

## Motorised positioning of the fence jaw (right) T1213

In addition to the digital display, electronically controlled positioning of the fence jaw is also possible as an optional feature. In combination with the electronically controlled fence (the T1212) this makes it possible to control the entire fence operation electronically because all of the settings are made directly at the control unit. This option is recommended for users who often perform moulding operations on more than one side of a workpiece.





Motorised fence positioning T1212

### Electronically controlled fence positioning T1212

With the electronically controlled fence positioning, all of the settings that were previously made with the handwheel can now be made comfortably and accurately via the control unit. With a repetition accuracy of  $\pm 0.025$  mm - which is quite unusual in a compact-class machine - the fence can be positioned with absolute accuracy. Even difficult settings, e.g. for counter work, can be adjusted precisely in this way.



Continuous speed control

### Variable rotational speed control T1203 / T1204 / T1205

The continuous speed control of the moulding spindle allows the best possible speed adjustment from 1,000 to 12,000 rpm for the job at hand - even with the machine running. With this wide range of speeds, not only slow-moving profile sanding heads but also high-speed tools such as router cutters for example, can all be used at their ideal cutting speed. With motors available from 7.5 to 11 kW, MARTIN offers always the right performance. Also, thanks to the modern passive cooling system of the inverter no cooling fans are necessary.



Moulding Assistant

### Software module 'moulding assistant' T12SW300-a

The completely newly developed optional software module, the 'Moulding Assistant', makes it possible for the first time for there to be a dialogue between operator and machine. Ordinary moulding jobs such as rebates and grooves as well as the selection of the right tools for the job can all be set up by the operator and the machine together: the control system of the machine has been actively integrated into the set-up process. In a constant exchange of information with the operator, the Moulding Assistant makes suggestions for how best to process an individual workpiece, e.g. by suggesting the appropriate tool to use for a particular processing step. Clear and easy-to-understand operations and menu items with helpful illustrations guide even inexperienced operators quickly and accurately through the set-up process.



HSK spindle quick-change system

### Cutter arbor quick-exchange system HSK for wrenchless pneumatic exchange T1270

The basic version of the T12 is equipped with the tried-and-true original MARTIN DornFix quick-change system, but the HSK tool-free clamping system option is also available. With the HSK interface the new T12 becomes an ideal addition to a CNC machining centre. Along with the HSK 85 'PowerLock' there is also the HSK 63F, both of which can be added on to the machine at any time. With the help of this technology, the operator can use the very same tools on this shaper that a machining centre uses, thereby reducing the cost-intensive processing time of such centres by 'outsourcing' certain moulding jobs to the T12. Available only in connection with the continuous speed control options T1203, T1204 or T1205.



Removable (pneumatic) support for the fence

#### Folding support for fence T1245

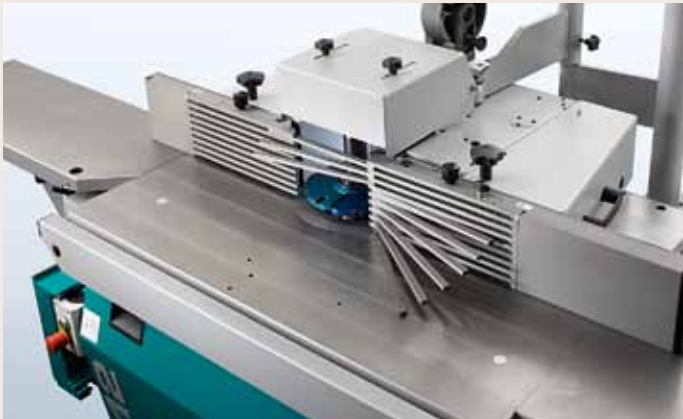
The advantages of this removable support for the ring fence are more than obvious: To remove the fence from the machine table, the fence simply has to be released and then lifted with the crank handle and moved into the 'park' position. The machine table then provides enough room for special accessories or safety devices to be fitted in place. Additionally, the T1245/1 version offers pneumatic support for lifting and lowering the fence.



Spring collect arbor

#### Spring collect arbor T1263

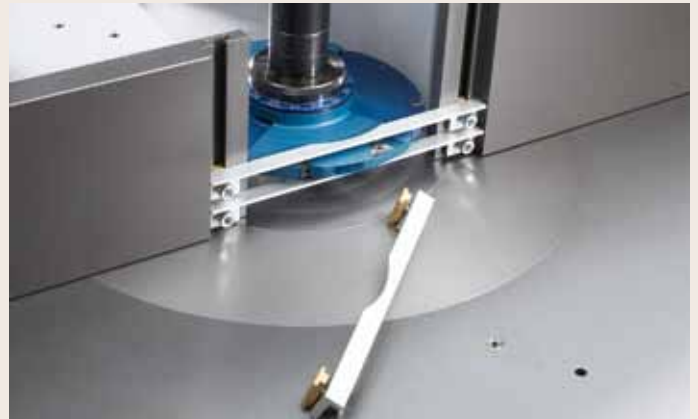
The cutting arbor for the T1263 exchangeable spring collect arbor is a great solution for using high-speed moulding tools such router cutters. The spring collets are available from 3 to 25 mm in diameter and can be exchanged easily and quickly, giving the arbor real flexibility. In combination with small tool diameters, the optional continuous speed controls T1203 / T1204 / T1205 are very useful.



Integral fence T1242

#### Integral fence jaws T1242

The fence opening should always be closed as far as possible so that the workpiece can be guided safely along the fence. Our reliable integral fence makes this easy to achieve. The bars of the anodized aluminium jaws can be easily lowered into position and released, and the height can be adjusted as well. The bar cassettes can also be removed effortlessly, allowing you to work with a wooden insert.



Guide bars

#### Anodised guide bars T1241

The guide bars give your workpiece the perfect support it needs to keep it from falling into the fence opening. Their slender design makes them useful in almost every application. The anodized aluminium bars are just moved down into the T-grooves of the fence jaws and then into the correct position. The standard bars measure 260 x 3 mm but are also available as 260 x 6 mm and 300 x 6 mm optional versions.



Sliding table used as table extension

**Sliding table with 1400 mm operating range T1280**

Whether you are working on large cross-sections that have to be cut at right angles to the grain, on counter work, or on slot and tenon processing – the sliding table is the ideal partner for the jobs. This solidly-built table offers a large and safe support surface. It can be turned in both directions up to 45°, and the fence as far as 65°. In this way even diagonally cut pieces, like special window elements for example, can be clamped and machined safely. The sliding table also offers a long work area of 1,400 mm to



Sliding table for mortising operations

guarantee the safe processing of large pieces. With the safety hood, which is part of the standard equipment, tools with a diameter of up to 350 mm can be safely mounted onto a 40 mm arbor. And when it is not needed as a sliding table, the T1280 can be used perfectly as a table extension since it can be easily lowered to the level of the machine table. The guide bar can be simply moved back to become flush with the machine front.



Fence for insert cutting

**Stop for insert cutting, infinitely adjustable T1235**

This optional fence, which can also be added at a later time, is a useful aid for dangerous insert cutting jobs. It lets you process such jobs accurately and safely. The fence can also be mounted on the left table extension, making it possible to position grooves exactly. The start and stop are determined simply and precisely and with high repetition accuracy. When the fence is not needed, it can simply be lowered and folded under the table extension without any problems.



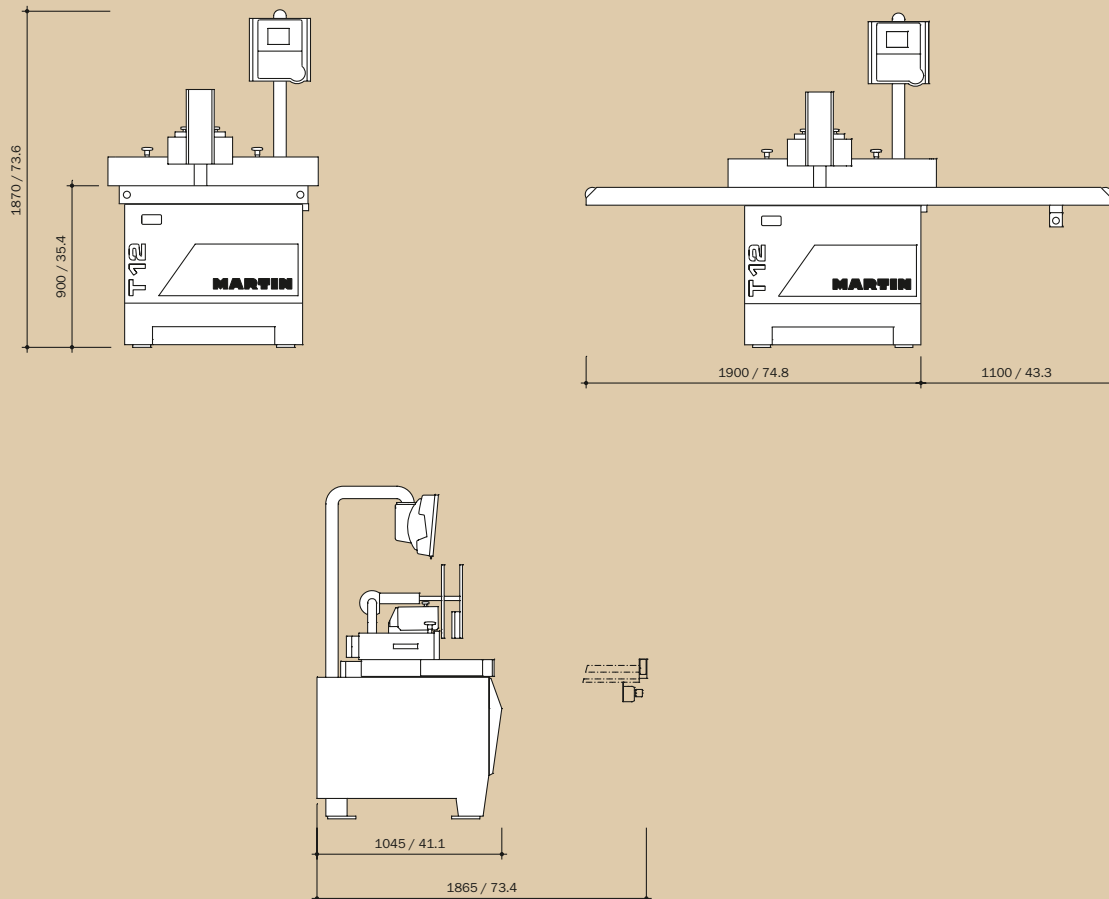
Light sliding table

**Sliding table for easy tenoning and mortising operations T1285-a**

The practical small sliding table with 710 mm work area is ideal for small tenon, slot or counter work. The sliding work table is simply mounted onto the machine table right in front of the fence where it runs smoothly on its high-quality ball bearings. This sliding table is equipped with a mitre fence (adjustable from 30° to 150° by moving the pivot screw or locking screw) and with a robust and easy-to-adjust lever-actuated eccentric clamp with pressure plate.

# Technical specifications

## T12 Shaper

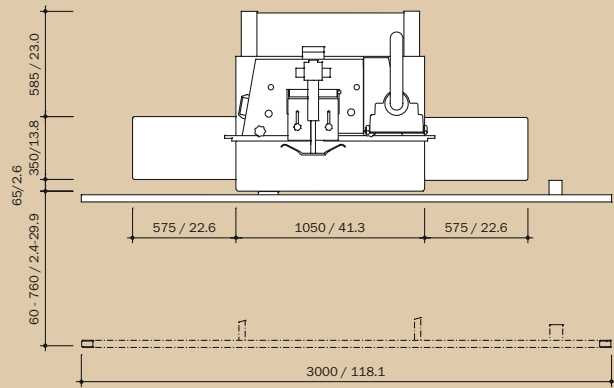
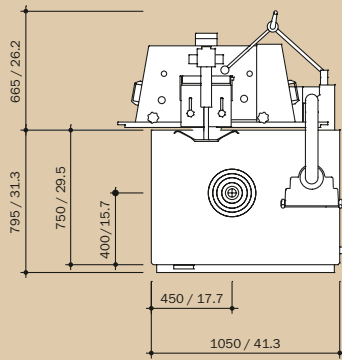


### Specifications

### T12

<b>Motor rating</b>	5.5 kW (7,5 HP)
<b>optional</b>	7.5 kW (10 HP) 11.0 kW (15 HP) rotational speed control with motor 7.5 kW (10 HP) rotational speed control with motor 9.5 kW (13 HP) rotational speed control with motor 11 kW (15 HP)
<b>Spindle height adjustment</b>	150 mm (5.9 inches)
<b>Rotational speeds</b>	3,000 / 4,500 / 6,000 / 8,000 / 10,000 rpm (power frequency 50 / 60 Hz)
<b>optional</b>	continuous speed control from 1,000 - 12,000 rpm
<b>Table openings</b>	255 / 205 / 161 / 106 / 74 mm (10.0 / 8.1 / 6.3 / 4.2 / 2.9 inches)
<b>Control unit</b>	at eye level, tilted, 2-way swivel
<b>Control system</b>	PowerPC





Specifications	T12
<b>User interface</b>	Touch-Screen 5.7" (145 mm), colour TFT, 8-bit colour-depth
<b>Display resolution</b>	0.05 mm
<b>Positioning accuracy</b>	± 0.025 °
<b>Dust ports</b>	
Machine	120 mm (4.7 inches)
Fence	120 mm (4.7 inches)
<b>Dust emission</b>	low dust standard according to the industry BGI safety regulations Number 739, Appendix 4
<b>Noise emission according to DIN EN ISO 11202</b>	
Idle state	84.6 dB(A)
Running state	88.3 dB(A)
<b>Weight</b>	approx. 950 kg (2,095 lbs)

All dimension and technical specifications are subject to technical alterations and may change without prior notice.

Please see the currently valid price list for the most recent technical data and equipment details.

All dimensions are given in millimetres/inches.

Made in Germany



# MARTIN

Otto Martin Maschinenbau GmbH & Co. KG  
Langenberger Str. 6  
87724 Ottobeuren / Germany

Telephone +49 (0) 8332 911-0  
Fax +49 (0) 8332 911-180  
sales@martin.info  
www.martin.info